

Outdoor Siren

1. Front Cover
 2. Mounting Holes
 3. Battery Switch
 4. Dip Switches
 5. Tamper Switch
 6. LED Strobe Light
- Outdoor Siren (Danish)**

1. Etukansi
2. Asennusreiät
3. Paristokytkin
4. Dip-kytkimet
5. Kajoamiskytkin
6. LED -strobovalo

ENGLISH

Follow instruction in this document to setup and use the accessory. For further setting and operation detail, please visit Blaupunkt website <http://www.blaupunkt.com> to download the complete manual.

Getting Started

1. Put the Control Panel into learning mode.
2. Slide the Battery Switch to ON position to power on the siren. The siren will emit a beep and flash its LEDs once.
3. Locate the Dip Switches, use a sharp object to slide the Dip Switch marked **1** to **ON** position. The siren will send a learn signal in 3 seconds and emit a beep, the LED 1 and 3 will flash once.
4. Refer to Control Panel manual to complete learning process.
5. If learning is successful, the siren will emit a beep, the LED 1 and 3 will flash once to confirm.
6. Slide Dip Switch **1** to OFF position. Learning is now complete
If learning fails, Slide Dip Switch **1** to OFF, then ON again to repeat learning process.

Mounting Location

- The siren is waterproof for outdoor mounting.
- Mount the siren on external wall of your house to attract attention when an alarm is activated.
- Mount as high as possible out of easy reach.

Installation

1. Use the four mounting holes as template, drill holes on the wall
2. Fix the back cover onto the wall with screws and plugs provided.
3. Replace the front cover on the back cover; make sure the tamper switch is fully depressed when siren is mounted.

Battery

4 x 1.5V alkaline D batteries (Pre-inserted)

DANISH

Follow instruction in this document to setup and use the accessory. For further setting and operation detail, please visit Blaupunkt website <http://www.blaupunkt.com> to download the complete manual.

Getting Started

1. Put the Control Panel into learning mode.
2. Slide the Battery Switch to ON position to power on the siren. The siren will emit a beep and flash its LEDs once.
3. Locate the Dip Switches, use a sharp object to slide the Dip Switch marked **1** to **ON** position. The siren will send a learn signal in 3 seconds and emit a beep, the LED 1 and 3 will flash once.
4. Refer to Control Panel manual to complete learning process.
5. If learning is successful, the siren will emit a beep, the LED 1 and 3 will flash once to confirm.
6. Slide Dip Switch **1** to OFF position. Learning is now complete
If learning fails, Slide Dip Switch **1** to OFF, then ON again to repeat learning process.

Mounting Location

- The siren is waterproof for outdoor mounting.
- Mount the siren on external wall of your house to attract attention when an alarm is activated.
- Mount as high as possible out of easy reach.

Installation

1. Use the four mounting holes as template, drill holes on the wall
2. Fix the back cover onto the wall with screws and plugs provided.
3. Replace the front cover on the back cover; make sure the tamper switch is fully depressed when siren is mounted.

Battery

4 x 1.5V alkaline D batteries (Pre-inserted)

SUOMI

Seuraa tässä annettuja ohjeita asentaessasi ja käyttäessäsi lisälaitetta. Tarkempia ohjeita ja tietoja verkkosivustolta <http://www.blaupunkt.com> mistä voit myös ladata käyttöohjekirjan.

Käyttöönotto

1. Aseta keskusyksikkö yhdistämistilaan.
2. Liu'uta paristokytkin ON (päällä) asentoon jotta sireeni saa virtaa. Sireeni antaa merkkipiippauksen ja väläyttää LED valoja.
3. Käytä terävää esinettä kääntääksesi Dip-kytkimen **1** ON (päällä) asentoon. Sireeni lähettää keskusyksikköön yhdistämispöynnön 3 sekunnin ajan ja piippaa, ledit 1 ja 3 välähtävät kerran.
4. Katso keskusyksikön käyttöohjeesta lisätietoja.
5. Jos yhdistäminen onnistui, sireeni piippaa ja LED 1 ja 3 välähtävät kerran.
6. Käännä Dip-kytkin **1** OFF (pois päältä) asentoon. Laite on yhdistetty.
Jos yhdistäminen ei onnistunut, käytä DIP 1 kytkintä OFF asennossa ja yritä sen jälkeen uudelleen.

Asennuspaikka

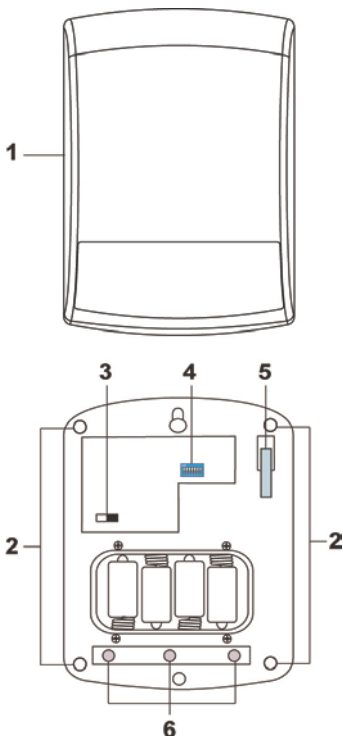
- Sireeni on vesitiivis ja soveltuu ulkoasennukseen.
- Asenna sireeni talosi ulkoseinään paikkaan josta se on helposti kuultavissa hälytyksen lauetessa.
- Asenna sireeni mahdollisimman korkealle niin ettei siihen pääse helposti käsiksi.

Asennus

1. Käytä asennusreiä sapluunana ja poraa sen avulla reiät seinään.
2. Kiinnitä takakansi seinään mukana seuraavilla ruuveilla.
3. Kiinnitä etukansi paikalleen varmistaen että kajoamiskytkin on painunut pohjaan saakka kun sireeni on kiinni paikallaan.

Paristo

4 x 1.5V alkali (D) paristo (asennettu)



Outdoor Siren (Swedish)

- 1. Front Cover
- 2. Mounting Holes
- 3. Battery Switch
- 4. Dip Switches
- 5. Tamper Switch
- 6. LED Strobe Light

Outdoor Siren (Norwegian)

- 1. Front Cover
- 2. Mounting Holes
- 3. Battery Switch
- 4. Dip Switches
- 5. Tamper Switch
- 6. LED Strobe Light

SWEDISH

Follow instruction in this document to setup and use the accessory. For further setting and operation detail, please visit Blaupunkt website <http://www.blaupunkt.com> to download the complete manual.

Getting Started

1. Put the Control Panel into learning mode.
2. Slide the Battery Switch to ON position to power on the siren. The siren will emit a beep and flash its LEDs once.
3. Locate the Dip Switches, use a sharp object to slide the Dip Switch marked **1** to **ON** position. The siren will send a learn signal in 3 seconds and emit a beep, the LED 1 and 3 will flash once.
4. Refer to Control Panel manual to complete learning process.
5. If learning is successful, the siren will emit a beep, the LED 1 and 3 will flash once to confirm.
6. Slide Dip Switch **1** to OFF position. Learning is now complete
If learning fails, Slide Dip Switch 1 to OFF, then ON again to repeat learning process.

Mounting Location

- The siren is waterproof for outdoor mounting.
- Mount the siren on external wall of your house to attract attention when an alarm is activated.
- Mount as high as possible out of easy reach.

Installation

1. Use the four mounting holes as template, drill holes on the wall
2. Fix the back cover onto the wall with screws and plugs provided.
3. Replace the front cover on the back cover; make sure the tamper switch is fully depressed when siren is mounted.

Battery

4 x 1.5V alkaline D batteries (Pre-inserted)

NORWEGIAN

Follow instruction in this document to setup and use the accessory. For further setting and operation detail, please visit Blaupunkt website <http://www.blaupunkt.com> to download the complete manual.

Getting Started

1. Put the Control Panel into learning mode.
2. Slide the Battery Switch to ON position to power on the siren. The siren will emit a beep and flash its LEDs once.
3. Locate the Dip Switches, use a sharp object to slide the Dip Switch marked **1** to **ON** position. The siren will send a learn signal in 3 seconds and emit a beep, the LED 1 and 3 will flash once.
4. Refer to Control Panel manual to complete learning process.
5. If learning is successful, the siren will emit a beep, the LED 1 and 3 will flash once to confirm.
6. Slide Dip Switch **1** to OFF position. Learning is now complete
If learning fails, Slide Dip Switch 1 to OFF, then ON again to repeat learning process.

Mounting Location

- The siren is waterproof for outdoor mounting.
- Mount the siren on external wall of your house to attract attention when an alarm is activated.
- Mount as high as possible out of easy reach.

Installation

1. Use the four mounting holes as template, drill holes on the wall
2. Fix the back cover onto the wall with screws and plugs provided.
3. Replace the front cover on the back cover; make sure the tamper switch is fully depressed when siren is mounted.

Battery

4 x 1.5V alkaline D batteries (Pre-inserted)