

Temperature Sensor

1. Temperature Sensor
2. Knockouts (inside)
3. LED Indicator
4. Learn Button

Temperature Sensor (Danish)

1. Temperature Sensor
2. Knockouts (inside)
3. LED Indicator
4. Learn Button

Lämpötilailmaisin

1. Lämpötila-anturi
2. Kiinnitysreikien paikat (sisäpuolella)
3. LED merkkivalo
4. Yhdistämispainike

ENGLISH

Getting Started

1. Remove the screw at bottom of the Temperature Sensor and open the cover.
2. Insert the battery in battery compartment
3. Put the Control Panel into learning mode.
4. Press Learn Button to learn sensor.
5. Refer to Control Panel manual to complete learning process

Mounting Location

- Do not mount close to heat source, air conditioner, door or window to avoid rapid temperature change.
- Avoid direct sunlight

Operation

- The Temperature Sensor will transmit reading to the Control Panel every 30 minutes, or when the learn button is pressed.
- Temperature detection range: $-10^{\circ}\text{C} \sim 50^{\circ}\text{C}$.

Installation

1. Break through knockouts on back cover.
2. Drill holes into wall using the knockouts as template.
3. Fix the back cover onto the wall with screws and plugs provided.
4. Replace the front cover on the back cover

Battery

The Temperature Sensor uses one **3.6V 1/2AA** lithium battery. It features low battery detection function to notify the Control Panel when battery voltage is low.

When the Temperature Sensor is on low battery, follow the procedure below to change the batteries.

1. Open the back cover
2. Remove the old battery
3. Press the learn button a couple times to discharge
4. Insert the new battery
5. Replace the back cover.

Specification

Environmental Condition:

-10°C to 50°C , relative humidity 85% non-condensing.

Radio:

868 MHz

DANISH

Getting Started

1. Remove the screw at bottom of the Temperature Sensor and open the cover.
2. Insert the battery in battery compartment
3. Put the Control Panel into learning mode.
4. Press Learn Button to learn sensor.
5. Refer to Control Panel manual to complete learning process

Mounting Location

- Do not mount close to heat source, air conditioner, door or window to avoid rapid temperature change.
- Avoid direct sunlight

Operation

- The Temperature Sensor will transmit reading to the Control Panel every 30 minutes, or when the learn button is pressed.
- Temperature detection range: $-10^{\circ}\text{C} \sim 50^{\circ}\text{C}$.

Installation

1. Break through knockouts on back cover.
2. Drill holes into wall using the knockouts as template.
3. Fix the back cover onto the wall with screws and plugs provided.
4. Replace the front cover on the back cover

Battery

The Temperature Sensor uses one **3.6V 1/2AA** lithium battery. It features low battery detection function to notify the Control Panel when battery voltage is low.

When the Temperature Sensor is on low battery, follow the procedure below to change the batteries.

1. Open the back cover
2. Remove the old battery
3. Press the learn button a couple times to discharge
4. Insert the new battery
5. Replace the back cover.

Specification

Environmental Condition:

-10°C to 50°C , relative humidity 85% non-condensing.

Radio:

868 MHz

SUOMI

Käyttöönotto

1. Irrota lämpötilailmaisimen takakannen ruuvi ja avaa kansi.
2. Asenna paristo paikalleen.
3. Aseta keskusyksikkö yhdistämistilaan.
4. Paina lämpötila-anturin yhdistämispainiketta.
5. Katso keskusyksikön käyttöohjeesta lisätietoja.

Asennuspaikka

- Älä asenna lähelle lämmönlähdettä, ilmastointilaitetta tai ovea tai ikkunaa joissa lämpötila muuttuu nopeasti.
- Vältä suoraa auringonvaloa.

Käyttö

- Lämpötilailmaisin lähettää keskusyksikölle lämpötilatiedon aina 30 minuutin välein tai heti kun yhdistämispainiketta painetaan.
- Tunnistettavan lämpötilan alue: $-10^{\circ}\text{C} \sim 50^{\circ}\text{C}$.

Asennus

1. Aukaise laitteen takakanteen merkityt ruuvireiät esim. ruuvimeisselillä.
2. Poraa reiät seinään käyttäen takakannta sapluunana.
3. Kiinnitä takakansi seinään mukana seuraavilla ruuveilla.
4. Kiinnitä etukansi laitteeseen.

Paristo

Lämpötilailmaisin käyttää yhtä **3.6V 1/2AA** litium-paristoa. Se ilmoittaa keskusyksikölle pariston vaihtamistarpeesta.

Kun lämpötilailmaisimen paristo on heikko, vaihda paristo seuraavasti.

1. Avaa takakansi.
2. Poista vanha paristo.
3. Aseta uusi paristo (tarkasta napaisuus).
4. Laita takakansi kiinni.

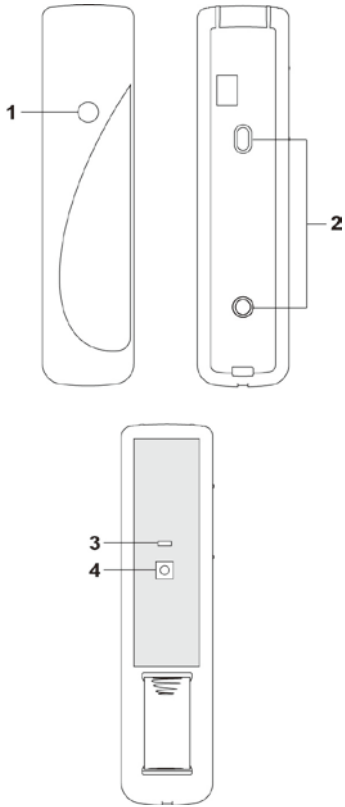
Tekniset tiedot

Käyttöympäristö:

-10°C - 50°C , ilmankosteus 85% ei-tiivistävää kosteutta.

Radio:

868 MHz



Temperature Sensor
(Swedish)

1. Temperature Sensor
2. Knockouts (inside)
3. LED Indicator
4. Learn Button

Temperature Sensor
(Norwegian)

1. Temperature Sensor
2. Knockouts (inside)
3. LED Indicator
4. Learn Button

SWEDISH

Getting Started

1. Remove the screw at bottom of the Temperature Sensor and open the cover.
2. Insert the battery in battery compartment
3. Put the Control Panel into learning mode.
4. Press Learn Button to learn sensor.
5. Refer to Control Panel manual to complete learning process

Mounting Location

- Do not mount close to heat source, air conditioner, door or window to avoid rapid temperature change.
- Avoid direct sunlight

Operation

- The Temperature Sensor will transmit reading to the Control Panel every 30 minutes, or when the learn button is pressed.
- Temperature detection range: **-10°C ~ 50°C.**

Installation

1. Break through knockouts on back cover.
2. Drill holes into wall using the knockouts as template.
3. Fix the back cover onto the wall with screws and plugs provided.
4. Replace the front cover on the back cover

Battery

The Temperature Sensor uses one **3.6V 1/2AA** lithium battery. It features low battery detection function to notify the Control Panel when battery voltage is low.

When the Temperature Sensor is on low battery, follow the procedure below to change the batteries.

1. Open the back cover
2. Remove the old battery
3. Press the learn button a couple times to discharge
4. Insert the new battery
5. Replace the back cover.

Specification

Environmental Condition:

-10°C to 50°C, relative humidity 85% non-condensing.

Radio:

868 MHz

NORWEGIAN

Getting Started

1. Remove the screw at bottom of the Temperature Sensor and open the cover.
2. Insert the battery in battery compartment
3. Put the Control Panel into learning mode.
4. Press Learn Button to learn sensor.
5. Refer to Control Panel manual to complete learning process

Mounting Location

- Do not mount close to heat source, air conditioner, door or window to avoid rapid temperature change.
- Avoid direct sunlight

Operation

- The Temperature Sensor will transmit reading to the Control Panel every 30 minutes, or when the learn button is pressed.
- Temperature detection range: **-10°C ~ 50°C.**

Installation

1. Break through knockouts on back cover.
2. Drill holes into wall using the knockouts as template.
3. Fix the back cover onto the wall with screws and plugs provided.
4. Replace the front cover on the back cover

Battery

The Temperature Sensor uses one **3.6V 1/2AA** lithium battery. It features low battery detection function to notify the Control Panel when battery voltage is low.

When the Temperature Sensor is on low battery, follow the procedure below to change the batteries.

1. Open the back cover
2. Remove the old battery
3. Press the learn button a couple times to discharge
4. Insert the new battery
5. Replace the back cover.

Specification

Environmental Condition:

-10°C to 50°C, relative humidity 85% non-condensing.

Radio:

868 MHz