

Door / Window Detector

1. LED Indicator
2. Learn Button
3. Knockouts
4. Battery Insulator
5. Rib Mark
6. Magnet

Door / Window Detector

(Danish)

1. LED Indikator
2. Learn Button
3. Knockouts
4. Battery Insulator
5. Rib Mark
6. Magnet

Ovi/ikkunakytkin

1. LED merkkivalo
2. Yhdistämispainike
3. Asennusreikien kohdat
4. Pariston eriste
5. Kohdistusmerkki
6. Magneetti

ENGLISH

Follow instruction in this document to setup and use the accessory. For further setting and operation detail, please visit Blaupunkt website <http://www.blaupunkt.com> to download the complete manual.

Getting Started

1. Pull out the battery insulator to activate battery.
2. If the accessory is purchased separately from the kit, follow instruction below to include the accessory into your control panel
If the accessory is included in your alarm system kit, skip to Mounting Location section below.
3. Put the Control Panel into learning mode.
4. Press Learn Button to learn sensor.
5. Refer to Control Panel manual to complete learning process.

Mounting Location

- Mount the main body of the detector on the door/window frame, and the magnet on the door/window. Mount as high as possible
- Do not aim a PIR Movement Detector at this door/window.
- Do not mount on metallic surface.

Installation

1. Break through knockouts on back cover of main body.
2. Drill holes into the door/window frame using the knockouts as template.
3. Fix the back cover onto the wall with the screws and plugs provided.
4. Replace the front cover on the back cover
5. Align the magnet with the Rib Mark on the main body; screw the magnet onto the door/window. The gap between the main body and the magnet should be **no more than 15 mm**.
● Instead of screw mounting, you can also use the double side adhesive tape included in the package to install the accessory.

Battery

1 x 3V lithium battery (Pre-inserted)

DANISH

Follow instruction in this document to setup and use the accessory. For further setting and operation detail, please visit Blaupunkt website <http://www.blaupunkt.com> to download the complete manual.

Getting Started

1. Pull out the battery insulator to activate battery.
2. If the accessory is purchased separately from the kit, follow instruction below to include the accessory into your control panel
If the accessory is included in your alarm system kit, skip to Mounting Location section below.
3. Put the Control Panel into learning mode.
4. Press Learn Button to learn sensor.
5. Refer to Control Panel manual to complete learning process.

Mounting Location

- Mount the main body of the detector on the door/window frame, and the magnet on the door/window. Mount as high as possible
- Do not aim a PIR Movement Detector at this door/window.
- Do not mount on metallic surface.

Installation

1. Break through knockouts on back cover of main body.
2. Drill holes into the door/window frame using the knockouts as template.
3. Fix the back cover onto the wall with the screws and plugs provided.
4. Replace the front cover on the back cover
5. Align the magnet with the Rib Mark on the main body; screw the magnet onto the door/window. The gap between the main body and the magnet should be **no more than 15 mm**.
● Instead of screw mounting, you can also use the double side adhesive tape included in the package to install the accessory.

Battery

1 x 3V lithium battery (Pre-inserted)

SUOMI

Seuraa tässä annettuja ohjeita asentaessasi ja käyttäessäsi lisälaitetta. Tarkempia ohjeita ja tietoja verkkosivustolta <http://www.blaupunkt.com> mistä voit myös ladata käyttöohjekirjan.

Käyttöönotto

1. Vedä ulos pariston eriste kytkeäksesi laitteen päälle.
Jos laite on hankittu lisälaitteena hälytinpakettiin, seuraa allaolevia ohjeita yhdistääksesi sen keskusyksikköön. Jos laite tuli paketin mukana, hyppää suoraan kohtaan asennus.
1. Aseta keskusyksikkö yhdistämistilaan.
2. Paina kytkimen yhdistämispainiketta.
3. Katso lisäohjeita keskusyksikön käyttöoppaasta.

Asennuspaikka

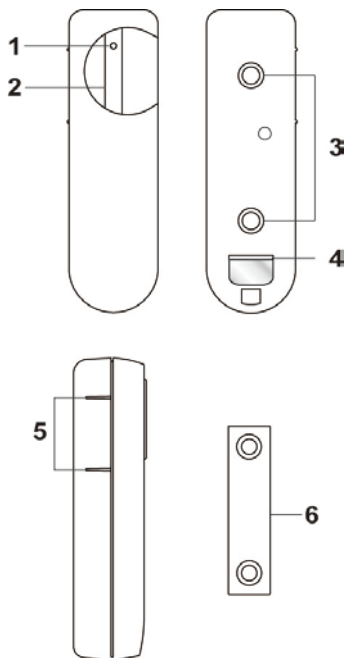
- Asenna itse kytkinosa oven tai ikkunan karmiin ja magneetti itse oveen. Asenna niin ylös kuin mahdollista.
- Älä kohdisti PIR liiketunnistinta tähän oveen.
- Älä asenna metallipinnalle.

Asennus

1. Aukaise kiinnitysaukot takakannesta esim. ruuvimeisselillä.
2. Poraa kiinnitysreiät käyttämällä kantta sapluunana.
3. Kiinnitä takakansi mukana seuraavilla ruuveilla.
4. Kiinnitä etukansi paikalleen.
5. Kohdisti magneetti merkkien avulla ja ruuvaa magneetti oveen/ikkunaan. Rakoa laitteen ja magneetin väliin **ei saisi jäädä yli 15 mm**.
● Ruuvien sijasta voit käyttää kiinnitykseen mukana seuraavaa kaksipuolista teippiä.

Paristo

1 x 3V litiumparisto (asennettu)



Door / Window Detector

(Swedish)

1. LED Indicator
2. Learn Button
3. Knockouts
4. Battery Insulator
5. Rib Mark
6. Magnet

Door / Window Detector

(Norwegian)

1. LED Indicator
2. Learn Button
3. Knockouts
4. Battery Insulator
5. Rib Mark
6. Magnet

SWEDISH

Follow instruction in this document to setup and use the accessory. For further setting and operation detail, please visit Blaupunkt website <http://www.blaupunkt.com> to download the complete manual.

Getting Started

1. Pull out the battery insulator to activate battery.
2. If the accessory is purchased separately from the kit, follow instruction below to include the accessory into your control panel
If the accessory is included in your alarm system kit, skip to Mounting Location section below.
3. Put the Control Panel into learning mode.
4. Press Learn Button to learn sensor.
5. Refer to Control Panel manual to complete learning process.

Mounting Location

- Mount the main body of the detector on the door/window frame, and the magnet on the door/window. Mount as high as possible
- Do not aim a PIR Movement Detector at this door/window.
- Do not mount on metallic surface.

Installation

1. Break through knockouts on back cover of main body.
2. Drill holes into the door/window frame using the knockouts as template.
3. Fix the back cover onto the wall with the screws and plugs provided.
4. Replace the front cover on the back cover
5. Align the magnet with the Rib Mark on the main body; screw the magnet onto the door/window. The gap between the main body and the magnet should be **no more than 15 mm**.
 - Instead of screw mounting, you can also use the double side adhesive tape included in the package to install the accessory.

Battery

1 x 3V lithium battery (Pre-inserted)

NORWEGIAN

Follow instruction in this document to setup and use the accessory. For further setting and operation detail, please visit Blaupunkt website <http://www.blaupunkt.com> to download the complete manual.

Getting Started

1. Pull out the battery insulator to activate battery.
2. If the accessory is purchased separately from the kit, follow instruction below to include the accessory into your control panel
If the accessory is included in your alarm system kit, skip to Mounting Location section below.
3. Put the Control Panel into learning mode.
4. Press Learn Button to learn sensor.
5. Refer to Control Panel manual to complete learning process.

Mounting Location

- Mount the main body of the detector on the door/window frame, and the magnet on the door/window. Mount as high as possible
- Do not aim a PIR Movement Detector at this door/window.
- Do not mount on metallic surface.

Installation

1. Break through knockouts on back cover of main body.
2. Drill holes into the door/window frame using the knockouts as template.
3. Fix the back cover onto the wall with the screws and plugs provided.
4. Replace the front cover on the back cover
5. Align the magnet with the Rib Mark on the main body; screw the magnet onto the door/window. The gap between the main body and the magnet should be **no more than 15 mm**.
 - Instead of screw mounting, you can also use the double side adhesive tape included in the package to install the accessory.

Battery

1 x 3V lithium battery (Pre-inserted)