

Water Sensor

1. LED Indicator
2. Learn Button
3. Water Detection Probe (For Wall Mounting)
4. Water Detection Probe (For Ground Deployment)
5. Ground Deployment Stands/Wall Mounting Knockouts (inside)

Water Sensor (Danish)

1. LED Indikator
2. Learn Button
3. Water Detection Probe (For Wall Mounting)
4. Water Detection Probe (For Ground Deployment)
5. Ground Deployment Stands/Wall Mounting Knockouts (inside)

Vesi-ilmaisin

1. LED merkkivalo
2. Yhdistämisspainike
3. Vesi-ilmaisimen tunnistinanturi (seinä-asennukseen)
4. Vesi-ilmaisimen tunnistinanturi (maa-asennukseen)
5. Maa-asennusteline/seinäkiinnitysten ruuvien kohdat (sisäpuolella)

ENGLISH

Follow instruction in this document to setup and use the accessory. For further setting and operation detail, please visit Blaupunkt website <http://www.blaupunkt.com> to download the complete manual.

Getting Started

1. Open the cover and insert the battery in battery compartment.
2. Put the Control Panel into learning mode.
3. Press Learn Button to learn sensor.
4. Refer to Control Panel manual to complete learning process.

Mounting Location

- Mount the Water Detector near water using appliances such as dishwasher, refrigerator, or toilet.
- For wall mounting, install the Water Sensor on the wall and drop the extension probe to the desired water detection level.

Installation

- Wall Mounting
 1. Open the Water Sensor cover.
 2. Break through the 4 knockouts on the inside of the back cover
 3. Use the knockouts to mark positions on the wall.
 4. Drill holes into the wall according to marked locations
 5. Screw the back cover onto the wall with the screw and plugs provided.
 6. Replace the front cover on the back cover.
 7. Secure the extension probe at desired water detection level with plastic clip provided.
- Ground Deployment
 1. Open the Water Sensor cover.
 2. Remove the extension probe for wall mounting using a screw driver.
 3. Replace the cover
 4. Place the Water Sensor on the ground standing on the 4 stands.

Battery

1 x CR123A 3V Lithium battery

DANISH

Follow instruction in this document to setup and use the accessory. For further setting and operation detail, please visit Blaupunkt website <http://www.blaupunkt.com> to download the complete manual.

Getting Started

1. Open the cover and insert the battery in battery compartment.
2. Put the Control Panel into learning mode.
3. Press Learn Button to learn sensor.
4. Refer to Control Panel manual to complete learning process.

Mounting Location

- Mount the Water Detector near water using appliances such as dishwasher, refrigerator, or toilet.
- For wall mounting, install the Water Sensor on the wall and drop the extension probe to the desired water detection level.

Installation

- Wall Mounting
 1. Open the Water Sensor cover.
 2. Break through the 4 knockouts on the inside of the back cover
 3. Use the knockouts to mark positions on the wall.
 4. Drill holes into the wall according to marked locations
 5. Screw the back cover onto the wall with the screw and plugs provided.
 6. Replace the front cover on the back cover.
 7. Secure the extension probe at desired water detection level with plastic clip provided.
- Ground Deployment
 1. Open the Water Sensor cover.
 2. Remove the extension probe for wall mounting using a screw driver.
 3. Replace the cover
 4. Place the Water Sensor on the ground standing on the 4 stands.

Battery

1 x CR123A 3V Lithium battery

SUOMI

Seuraa tässä annettuja ohjeita asentaessasi ja käyttäessäsi lisälaitetta. Tarkempia ohjeita ja tietoja verkkosivustolta <http://www.blaupunkt.com> mistä voit myös ladata käyttöohjekirjan.

Käyttöönotto

1. Avaa kansi ja asenna paristo koteloonsa.
2. Aseta keskusyksikkö yhdistämistilaan.
3. Paina yhdistämisspainiketta liittääksesi laitteen keskusyksikköön.
4. Katso lisäohjeita keskusyksikön käyttöoppaasta.

Asennuspaikka

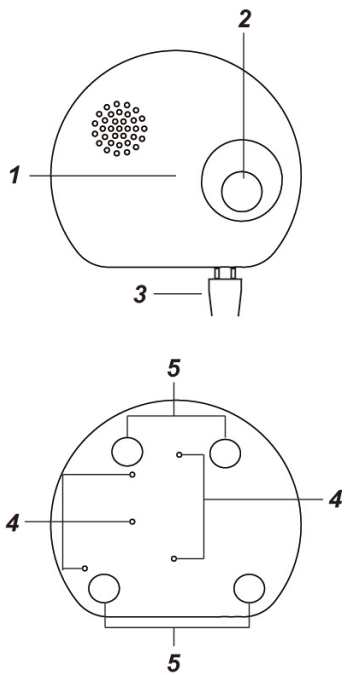
- Asenna vesi-ilmaisimien lähelle vettä käyttäviä kodinkoneita kuten tiskikone, pesukone, jääpalakone tai WC-istuin.
- Seinä-asennuksessa asenna ilmaisimien seinään ja laske tunnistinanturi kohtaan jossa havaittavan veden halutaan laukaisevan hälytys.

Asennus

- Asennus seinälle
 1. Avaa vesi-ilmaisimen kansi.
 2. Puhkaise 4 kiinnityskohtaa takakannen sisäpuolella.
 3. Käytä reikiä apuna merkitessäsi kiinnityskohdat seinään.
 4. Poraa reiät seinään merkkien perusteella.
 5. Ruuvaa ilmaisimen takakansi seinään mukana seuraavilla ruuveilla.
 6. Kiinnitä etuosa takakanteen.
 7. Varmista tunnistinanturin oikeassa kohdassa pysyminen mukana seuraavalla muovikiinnikkeellä.
- Maa-asennus
 1. Avaa vesi-ilmaisimen kansi.
 2. Irrota tunnistinanturi ruuvimeisselillä.
 3. Sulje kansi
 4. Aseta ilmaisimien jalkojen varaan haluttuun paikkaan.

Paristo

1 x CR123A 3V litiumparisto



Water Sensor (Swedish)

1. LED Indicator
2. Learn Button
3. Water Detection Probe (For Wall Mounting)
4. Water Detection Probe (For Ground Deployment)
5. Ground Deployment Stands/Wall Mounting Knockouts (inside)

Water Sensor (Norwegian)

1. LED Indicator
2. Learn Button
3. Water Detection Probe (For Wall Mounting)
4. Water Detection Probe (For Ground Deployment)
5. Ground Deployment Stands/Wall Mounting Knockouts (inside)

SWEDISH

Follow instruction in this document to setup and use the accessory. For further setting and operation detail, please visit Blaupunkt website <http://www.blaupunkt.com> to download the complete manual.

Getting Started

1. Open the cover and insert the battery in battery compartment.
2. Put the Control Panel into learning mode.
3. Press Learn Button to learn sensor.
4. Refer to Control Panel manual to complete learning process.

Mounting Location

- Mount the Water Detector near water using appliances such as dishwasher, refrigerator, or toilet.
- For wall mounting, install the Water Sensor on the wall and drop the extension probe to the desired water detection level.

Installation

- Wall Mounting
 1. Open the Water Sensor cover.
 2. Break through the 4 knockouts on the inside of the back cover
 3. Use the knockouts to mark positions on the wall.
 4. Drill holes into the wall according to marked locations
 5. Screw the back cover onto the wall with the screw and plugs provided.
 6. Replace the front cover on the back cover.
 7. Secure the extension probe at desired water detection level with plastic clip provided.
- Ground Deployment
 1. Open the Water Sensor cover.
 2. Remove the extension probe for wall mounting using a screw driver.
 3. Replace the cover
 4. Place the Water Sensor on the ground standing on the 4 stands.

Battery

1 x CR123A 3V Lithium battery

NORWEGIAN

Follow instruction in this document to setup and use the accessory. For further setting and operation detail, please visit Blaupunkt website <http://www.blaupunkt.com> to download the complete manual.

Getting Started

1. Open the cover and insert the battery in battery compartment.
2. Put the Control Panel into learning mode.
3. Press Learn Button to learn sensor.
4. Refer to Control Panel manual to complete learning process.

Mounting Location

- Mount the Water Detector near water using appliances such as dishwasher, refrigerator, or toilet.
- For wall mounting, install the Water Sensor on the wall and drop the extension probe to the desired water detection level.

Installation

- Wall Mounting
 1. Open the Water Sensor cover.
 2. Break through the 4 knockouts on the inside of the back cover
 3. Use the knockouts to mark positions on the wall.
 4. Drill holes into the wall according to marked locations
 5. Screw the back cover onto the wall with the screw and plugs provided.
 6. Replace the front cover on the back cover.
 7. Secure the extension probe at desired water detection level with plastic clip provided.
- Ground Deployment
 1. Open the Water Sensor cover.
 2. Remove the extension probe for wall mounting using a screw driver.
 3. Replace the cover
 4. Place the Water Sensor on the ground standing on the 4 stands.

Battery

1 x CR123A 3V Lithium battery