

Power Switch

1. Learn/Switch Button & LED Indicator
2. Power Socket
3. Plug

Power Switch (Danish)

1. Learn/Switch Button & LED Indicator
2. Power Socket
3. Plug

Virtakytkin

1. Yhdistämisspainike/virtakytkin ja & LED merkkivalo
2. Pistorasia
3. Seinäpistoke

ENGLISH

Power Switch PSS-S1 is only compatible with SA-series alarm systems

Getting Started

1. Plug the Power Switch into the power outlet. The LED will flash twice.
2. Press and hold the Learn/Switch button for about 10 seconds and release the button when LED begin to flash. The Power Switch is now under learning mode.
3. Please refer to the Power Switch learning function in your Control Panel manual to send a signal to Power Switch.
If you do not want to learn in the Power Switch yet, press the Learn/Switch button once to exit learn mode, the LED will stop flashing
4. When the Power Switch receives signal from Control Panel, the LED will flashes twice to confirm, then turn off. Learning is now complete.

Operation

- Plug the home appliance you want to control into the Power Switch. The appliance must be turned ON.
- The Power Switch can be remotely controlled using Blaupunkt's **Connect2Home** smartphone application. Please refer to your Control Panel manual for detail.
- You can toggle on/off the Power Switch manually by pressing the Learn/Switch

LED Indicator

ON: Power Switch is turned ON.
OFF: Power Switch is turned OFF

Maximum Load

110V: 1760W 16A
230V: 3680W 16A

Specification

Environmental Condition:

-10°C to 40°C, relative humidity 85% non-condensing.

Radio:

868 MHz

DANISH

Power Switch PSS-S1 is only compatible with SA-series alarm systems

Getting Started

1. Plug the Power Switch into the power outlet. The LED will flash twice.
2. Press and hold the Learn/Switch button for about 10 seconds and release the button when LED begin to flash. The Power Switch is now under learning mode.
3. Please refer to the Power Switch learning function in your Control Panel manual to send a signal to Power Switch.
If you do not want to learn in the Power Switch for now, press the Learn/Switch button once to exit learn mode, the LED will stop flashing
4. When the Power Switch receives signal from Control Panel, the LED will flashes twice to confirm, then turn off. Learning is now complete.

Operation

- Plug the home appliance you want to control into the Power Switch. The appliance must be turned ON.
- The Power Switch can be remotely controlled using Blaupunkt's **Connect2Home** smartphone application. Please refer to your Control Panel manual for detail.
- You can toggle on/off the Power Switch manually by pressing the Learn/Switch

LED Indicator

ON: Power Switch is turned ON.
OFF: Power Switch is turned OFF

Maximum Load

110V: 1760W 16A
230V: 3680W 16A

Specification

Environmental Condition:

-10°C to 40°C, relative humidity 85% non-condensing.

Radio:

868 MHz

SUOMI

Virtakytkin PSS-S1 on yhteensopiva vain SA-sarjan hälytinlaitteiden kanssa

Käyttöönotto

1. Kytke virtakytkin pistorasiaan. LED valo vilkahtaa kahdesti.
2. Paina ja pidä pohjassa yhdistämis/virtapainiketta noin 10 sekunnin ajan ja vapauta se kun LED alkaa vilkkua. Virtakytkin on nyt oppimistilassa.
3. Katso keskusyksikön käyttöohjeesta kuinka virtakytkin yhdistetään keskusyksikköön. Jos et halua yhdistää virtakytkintä keskusyksikköön nyt, paina kerran yhdistämis/virtapainiketta ja LED lakkaa vilkkumasta.
4. Kun virtakytkin saa signaalin keskusyksiköltä, LED vilkuttaa kahdesti varmistukseksi ja sammuu. Yhdistäminen on valmis.

Käyttö

- Kytke kodinkone jota haluat käynnistää ja sammuttaa virtakytkimeen. Laitteen oma virtakytkin tulee olla PÄÄLLÄ asennossa.
- Virtakytkintä voi kauko-ohjata Blaupunktin **Connect2Home** -älypuhelinsovelluksella. Ole hyvä ja katso lisätietoja keskusyksikön käyttöohjeesta.
- Voit myös ohjata virtakytkintä suoraan sen painikkeesta.

LED merkkivalo

PALAA: Virtakytkin päästää virtaa lävitseen.

EI PALA: Virtakytkin ei anna virtaa.

Maksimikuormitus

110V: 1760W 16A
230V: 3680W 16A

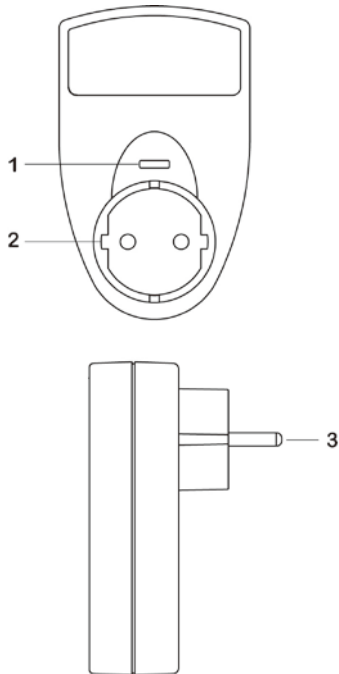
Tekniset tiedot

Käyttöympäristö:

-10°C - 40°C, ilmankosteus 85% ei-tiivistyvää kosteutta.

Radio:

868 MHz



Power Switch (Swedish)

1. Learn/Switch Button & LED Indicator
2. Power Socket
3. Plug

Power Switch (Norwegian)

1. Learn/Switch Button & LED Indicator
2. Power Socket
3. Plug

SWEDISH

Power Switch PSS-S1 is only compatible with SA-series alarm systems

Getting Started

1. Plug the Power Switch into the power outlet. The LED will flash twice.
2. Press and hold the Learn/Switch button for about 10 seconds and release the button when LED begin to flash. The Power Switch is now under learning mode.
3. Please refer to the Power Switch learning function in your Control Panel manual to send a signal to Power Switch.
If you do not want to learn in the Power Switch yet, press the Learn/Switch button once to exit learn mode, the LED will stop flashing
4. When the Power Switch receives signal from Control Panel, the LED will flashes twice to confirm, then turn off. Learning is now complete.

Operation

- Plug the home appliance you want to control into the Power Switch. The appliance must be turned ON.
- The Power Switch can be remotely controlled using Blaupunkt's **Connect2Home** smartphone application. Please refer to your Control Panel manual for detail.
- You can toggle on/off the Power Switch manually by pressing the Learn/Switch

LED Indicator

ON: Power Switch is turned ON.
OFF: Power Switch is turned OFF

Maximum Load

110V: 1760W 16A
230V: 3680W 16A

Specification

Environmental Condition:

-10°C to 40°C, relative humidity 85% non-condensing.

Radio:

868 MHz

NORWEGIAN

Power Switch PSS-S1 is only compatible with SA-series alarm systems

Getting Started

1. Plug the Power Switch into the power outlet. The LED will flash twice.
2. Press and hold the Learn/Switch button for about 10 seconds and release the button when LED begin to flash. The Power Switch is now under learning mode.
3. Please refer to the Power Switch learning function in your Control Panel manual to send a signal to Power Switch.
If you do not want to learn in the Power Switch yet, press the Learn/Switch button once to exit learn mode, the LED will stop flashing
4. When the Power Switch receives signal from Control Panel, the LED will flashes twice to confirm, then turn off. Learning is now complete.

Operation

- Plug the home appliance you want to control into the Power Switch. The appliance must be turned ON.
- The Power Switch can be remotely controlled using Blaupunkt's **Connect2Home** smartphone application. Please refer to your Control Panel manual for detail.
- You can toggle on/off the Power Switch manually by pressing the Learn/Switch

LED Indicator

ON: Power Switch is turned ON.
OFF: Power Switch is turned OFF

Maximum Load

110V: 1760W 16A
230V: 3680W 16A

Specification

Environmental Condition:

-10°C to 40°C, relative humidity 85% non-condensing.

Radio:

868 MHz