

Remote Keypad

1. LED Indicators
2. Arm Key
3. Home Arm Key
4. Disarm Key
5. Battery Insulator
6. Wall mounting Knockouts
7. RFID Tag

Remote Keypad (Danish)

1. LED Indicators
2. Arm Key
3. Home Arm Key
4. Disarm Key
5. Battery Insulator
6. Wall mounting Knockouts
7. RFID Tag

Näppäimistö

1. LED merkkivalot
2. HÄLY päälle -painike
3. Kotona HÄLY -painike
4. HÄLY pois -painike
5. Pariston eriste
6. Seinäkiinnityksen ruuvien kohdat
7. RFID tunniste

ENGLISH

Follow instruction in this document to setup and use the accessory. For further setting and operation detail, please visit Blaupunkt website <http://www.blaupunkt.com> to download the complete manual.

Getting Started

1. Pull out the battery insulator to activate battery.
2. Put the Control Panel into learning mode.
3. Press both # and * keys to learn the keypad, the keypad will emit a long beep
4. Refer to Control Panel manual to complete learning process.

Mounting Location

We recommend the Remote Keypad to be mounted at following locations:

- Mount at door way or back door for entry control.
- Mount in your bedroom for easy access of alarm system at night.
- Mount at chest height for ease of operation

Installation

1. Break through the knockouts on back cover.
2. Drill holes into wall using the knockouts as template.
3. Fix the Remote Keypad base onto wall with the screws and plugs provided.
4. Replace the front cover onto the base.

Basic Operation

- Enter a User PIN Code and press the **Away Arm** key to away arm your alarm system.
- Enter a User PIN Code and press the **Home Arm** key to home arm your alarm system.
- Enter a User PIN Code and press the **Disarm** key to disarm your alarm system.
- For advanced operation instruction and RFID Tag information, please download the complete manual from <http://www.blaupunkt.com>

Battery

1 x 3V lithium battery (Pre-inserted)

DANISH

Follow instruction in this document to setup and use the accessory. For further setting and operation detail, please visit Blaupunkt website <http://www.blaupunkt.com> to download the complete manual.

Getting Started

1. Pull out the battery insulator to activate battery.
2. Put the Control Panel into learning mode.
3. Press both # and * keys to learn the keypad, the keypad will emit a long beep
4. Refer to Control Panel manual to complete learning process.

Mounting Location

We recommend the Remote Keypad to be mounted at following locations:

- Mount at door way or back door for entry control.
- Mount in your bedroom for easy access of alarm system at night.
- Mount at chest height for ease of operation

Installation

1. Break through the knockouts on back cover.
2. Drill holes into wall using the knockouts as template.
3. Fix the Remote Keypad base onto wall with the screws and plugs provided.
4. Replace the front cover onto the base.

Basic Operation

- Enter a User PIN Code and press the **Away Arm** key to away arm your alarm system.
- Enter a User PIN Code and press the **Home Arm** key to home arm your alarm system.
- Enter a User PIN Code and press the **Disarm** key to disarm your alarm system.
- For advanced operation instruction and RFID Tag information, please download the complete manual from <http://www.blaupunkt.com>

Battery

1 x 3V lithium battery (Pre-inserted)

SUOMI

Seuraa tässä annettuja ohjeita asentaessasi ja käyttäessäsi lisälaitetta. Tarkempia ohjeita ja tietoja verkkosivustolta <http://www.blaupunkt.com> mistä voit myös ladata käyttöohjekirjan.

Käyttöönotto

1. Aktivoi paristo vetämällä ulos eriste pariston päältä.
2. Aseta keskusyksikkö yhdistämistilaan.
3. Paina sekä # että * näppäimiä yhdistääksesi näppäimistön keskusyksikköön. Laite päästää pitkän piippauksen merkiksi onnistumisesta.
4. Katso lisäohjeita keskusyksikön käyttöoppaasta.

Asennuspaikka

Suosittelemme seuraavanlaisia asennuspaikkoja:

- Asenna eteiseen tai takaovelle.
- Asenna rinnan korkeudelle helppoa käyttöä ajatellen.

Asennus

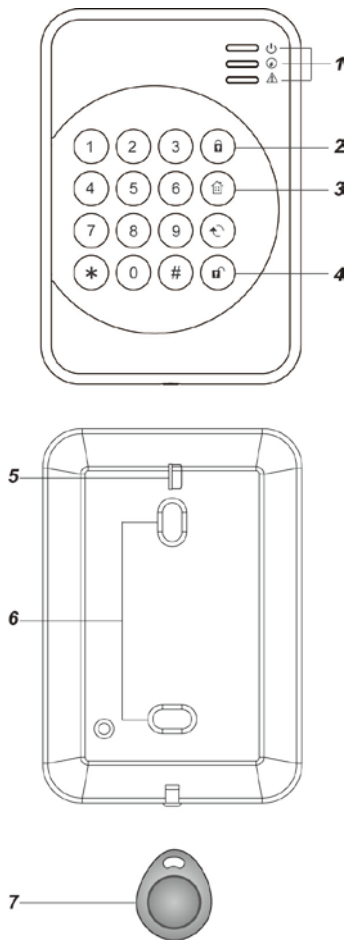
1. Puhkaise takaosan kiinnityskohdat esim. ruuvimeisselillä.
1. Poraa kiinnitysreiät käyttäen takaosaa sapluunana.
2. Kiinnitä näppäimistö seinään mukana seuraavilla ruuveilla.
3. Kiinnitä etuosa takaisin takaosaan.

Normaali käyttö

- Syötä käyttäjän PIN koodi ja paina **HÄLY päälle** näppäintä asettaaksesi hälytyksen päälle.
- Syötä käyttäjän PIN koodi ja paina **Kotona HÄLY** näppäintä kytkeäksesi päälle vain ulkopuoliset ilmaisimet.
- Syötä käyttäjän PIN koodi ja paina **HÄLY pois** näppäintä kytkeäksesi hälytys pois päältä.
- Lisätietoja ja RFID-tunnisteen käytön ohjeita saatavana verkkosivustolta <http://www.blaupunkt.com>

Paristo

1 x 3V litiumparisto (asennettu)



Remote Keypad (Swedish)

1. LED Indicators
2. Arm Key
3. Home Arm Key
4. Disarm Key
5. Battery Insulator
6. Wall mounting Knockouts
7. RFID Tag

Remote Keypad (Norwegian)

1. LED Indicators
2. Arm Key
3. Home Arm Key
4. Disarm Key
5. Battery Insulator
6. Wall mounting Knockouts
7. RFID Tag

SWEDISH

Follow instruction in this document to setup and use the accessory. For further setting and operation detail, please visit Blaupunkt website <http://www.blaupunkt.com> to download the complete manual.

Getting Started

1. Pull out the battery insulator to activate battery.
2. Put the Control Panel into learning mode.
3. Press both # and * keys to learn the keypad, the keypad will emit a long beep
4. Refer to Control Panel manual to complete learning process.

Mounting Location

We recommend the Remote Keypad to be mounted at following locations:

- Mount at door way or back door for entry control.
- Mount in your bedroom for easy access of alarm system at night.
- Mount at chest height for ease of operation

Installation

1. Break through the knockouts on back cover.
2. Drill holes into wall using the knockouts as template.
3. Fix the Remote Keypad base onto wall with the screws and plugs provided.
4. Replace the front cover onto the base.

Basic Operation

- Enter a User PIN Code and press the **Away Arm** key to away arm your alarm system.
- Enter a User PIN Code and press the **Home Arm** key to home arm your alarm system.
- Enter a User PIN Code and press the **Disarm** key to disarm your alarm system.
- For advanced operation instruction and RFID Tag information, please download the complete manual from <http://www.blaupunkt.com>

Battery

1 x 3V lithium battery (Pre-inserted)

NORWEGIAN

Follow instruction in this document to setup and use the accessory. For further setting and operation detail, please visit Blaupunkt website <http://www.blaupunkt.com> to download the complete manual.

Getting Started

1. Pull out the battery insulator to activate battery.
2. Put the Control Panel into learning mode.
3. Press both # and * keys to learn the keypad, the keypad will emit a long beep
4. Refer to Control Panel manual to complete learning process.

Mounting Location

We recommend the Remote Keypad to be mounted at following locations:

- Mount at door way or back door for entry control.
- Mount in your bedroom for easy access of alarm system at night.
- Mount at chest height for ease of operation

Installation

1. Break through the knockouts on back cover.
2. Drill holes into wall using the knockouts as template.
3. Fix the Remote Keypad base onto wall with the screws and plugs provided.
4. Replace the front cover onto the base.

Basic Operation

- Enter a User PIN Code and press the **Away Arm** key to away arm your alarm system.
- Enter a User PIN Code and press the **Home Arm** key to home arm your alarm system.
- Enter a User PIN Code and press the **Disarm** key to disarm your alarm system.
- For advanced operation instruction and RFID Tag information, please download the complete manual from <http://www.blaupunkt.com>

Battery

1 x 3V lithium battery (Pre-inserted)