

Smoke Detector

1. Learn Button
2. LED Indicator
3. Battery Compartment
4. Mounting Holes
5. Mounting Bracket

Smoke Detector (Danish)

1. Learn Button
2. LED Indicator
3. Battery Compartment
4. Mounting Holes
5. Mounting Bracket

Palovaroinin

1. Yhdistämispainike
2. LED merkkivalo
3. Paristokotelo
4. Asennusreiät
5. Asennusteline

ENGLISH

Follow instruction in this document to setup and use the accessory. For further setting and operation detail, please visit Blaupunkt website <http://www.blaupunkt.com> to download the complete manual.

Getting Started

1. Insert the batteries in battery compartment. The Smoke Detector will emit 2 beeps.
2. The Smoke Detector enters self-calibration process for 8-22 minute and will emit 2 beeps upon complete.
3. Put the Control Panel into learning mode.
4. Press Learn Button to learn sensor.
5. Refer to Control Panel manual to complete learning process.

Mounting Location

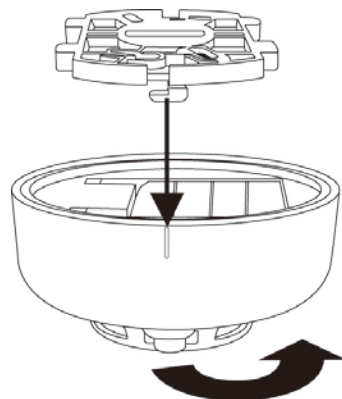
- Mount the Smoke Detector at center of ceiling.

Do not mount the Smoke Detector at the following locations

- Kitchen and garage – The smoke from cooking may trigger false alarm.
- Near ventilating fan or air conditioner - Air draft may affect sensor sensitivity
- Corner, top of an "A" frame type ceiling, near ceiling beams or over a cabinet – The stagnant air may affect sensor sensitivity.

Installation

1. Use the two mounting holes on the mounting bracket to mark position on the ceiling.
2. Drill holes into the ceiling.
3. Screw the bracket onto the ceiling with the screw and plugs provided in drilled hole
4. Replace the main body of the Smoke Detector on the bracket according to picture below.



Battery

4 x AA alkaline batteries

DANISH

Follow instruction in this document to setup and use the accessory. For further setting and operation detail, please visit Blaupunkt website <http://www.blaupunkt.com> to download the complete manual.

Getting Started

1. Insert the batteries in battery compartment. The Smoke Detector will emit 2 beeps.
2. The Smoke Detector enters self-calibration process for 8-22 minute and will emit 2 beeps upon complete.
3. Put the Control Panel into learning mode.
4. Press Learn Button to learn sensor.
5. Refer to Control Panel manual to complete learning process.

Mounting Location

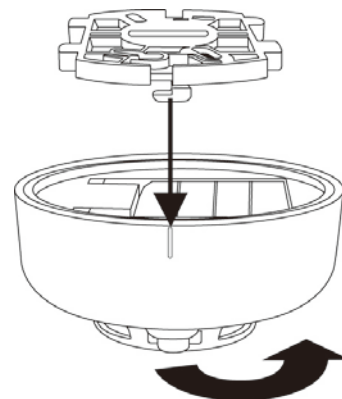
- Mount the Smoke Detector at center of ceiling.

Do not mount the Smoke Detector at the following locations

- Kitchen – The smoke from cooking may trigger false alarm.
- Near ventilating fan or air conditioner - Air draft may affect sensor sensitivity
- Corner, top of an "A" frame type ceiling, near ceiling beams or over a cabinet – The stagnant air may affect sensor sensitivity.

Installation

1. Use the two mounting holes on the mounting bracket to mark position on the ceiling.
2. Drill holes into the ceiling.
3. Screw the bracket onto the ceiling with the screw and plugs provided in drilled hole
4. Replace the main body of the Smoke Detector on the bracket according to picture below.



Battery

4 x AA alkaline batteries

SUOMI

Seuraa tässä annettuja ohjeita asentaessasi ja käyttäessäsi lisälaitetta. Tarkempia ohjeita ja tietoja verkkosivustolta <http://www.blaupunkt.com> mistä voit myös ladata käyttöohjekirjan.

Käyttöönotto

1. Asenna paristot paikalleen. Palovaroinin päästää kaksi piippausta.
2. Palovaroinin aloittaa itsekalibraatioprosessin joka kestää noin 8-22 minuuttia ja päästää lopuksi 2 piippausta .
3. Aseta keskusyksikkö yhdistämistilaan.
4. Paina yhdistämispainiketta liittääksesi laitteen keskusyksikköön.
5. Katso lisäohjeita keskusyksikön käyttöoppaasta.

Asennuspaikka

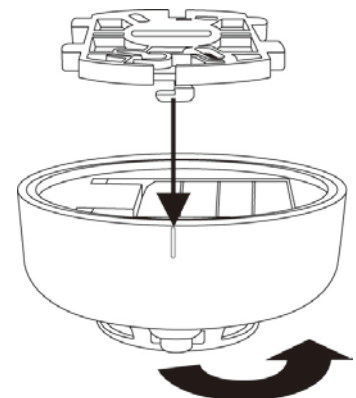
- Asenna palovaroinin katon keskelle.

Älä asenna palovaroininta seuraavanlaisiin paikkoihin:

- Keittiö – ruoanvalmistuksen höyryt aiheuttavat vääriä hälytyksiä.
- Lähelle ilmanvaihtoa tai ilmastointilaitetta - veto voi huonontaa laitteen havaitsemiskykyä.
- Kulmaan, A-katon keskelle, lähelle näkyviä kattopalkkeja tai kaapin päälle – seisova ilma häiritsee laitteen havaitsemiskykyä.

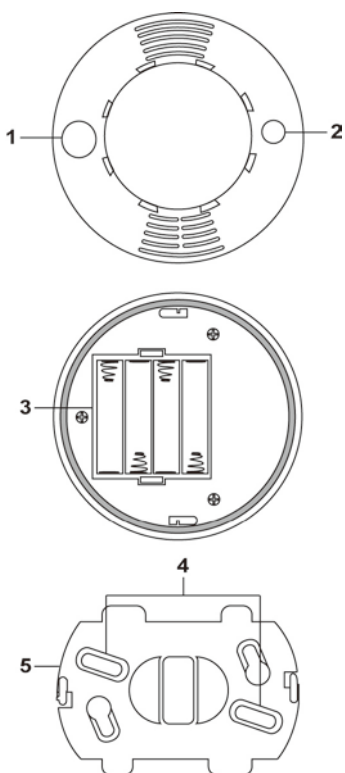
Asennus

1. Käytä asennustelineen reikiä apuna ja merkitse reikien paikat kattoon.
2. Poraa kiinnitysreiät.
3. Ruuvaa asennusteline kiinni mukana seuraavilla ruuveilla.
4. Yhdistä palovaroinin asennustelineeseen kuvan mukaisesti.



Battery

4 x AA alkaliparisto



Smoke Detector (Swedish)

1. Learn Button
2. LED Indicator
3. Battery Compartment
4. Mounting Holes
5. Mounting Bracket

Smoke Detector (Norwegian)

1. Learn Button
2. LED Indicator
3. Battery Compartment
4. Mounting Holes
5. Mounting Bracket

SWEDISH

Follow instruction in this document to setup and use the accessory. For further setting and operation detail, please visit Blaupunkt website <http://www.blaupunkt.com> to download the complete manual.

Getting Started

1. Insert the batteries in battery compartment. The Smoke Detector will emit 2 beeps.
2. The Smoke Detector enters self-calibration process for 8-22 minute and will emit 2 beeps upon complete.
3. Put the Control Panel into learning mode.
4. Press Learn Button to learn sensor.
5. Refer to Control Panel manual to complete learning process.

Mounting Location

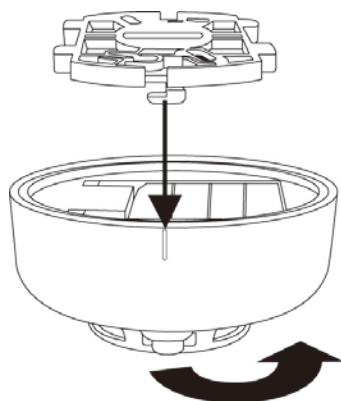
- Mount the Smoke Detector at center of ceiling.

Do not mount the Smoke Detector at the following locations

- Kitchen – The smoke from cooking may trigger false alarm.
- Near ventilating fan or air conditioner - Air draft may affect sensor sensitivity
- Corner, top of an "A" frame type ceiling, near ceiling beams or over a cabinet – The stagnant air may affect sensor sensitivity.

Installation

1. Use the two mounting holes on the mounting bracket to mark position on the ceiling.
2. Drill holes into the ceiling.
3. Screw the bracket onto the ceiling with the screw and plugs provided in drilled hole
4. Replace the main body of the Smoke Detector on the bracket according to picture below.



Battery

4 x AA alkaline batteries

NORWEGIAN

Follow instruction in this document to setup and use the accessory. For further setting and operation detail, please visit Blaupunkt website <http://www.blaupunkt.com> to download the complete manual.

Getting Started

1. Insert the batteries in battery compartment. The Smoke Detector will emit 2 beeps.
2. The Smoke Detector enters self-calibration process for 8-22 minute and will emit 2 beeps upon complete.
3. Put the Control Panel into learning mode.
4. Press Learn Button to learn sensor.
5. Refer to Control Panel manual to complete learning process.

Mounting Location

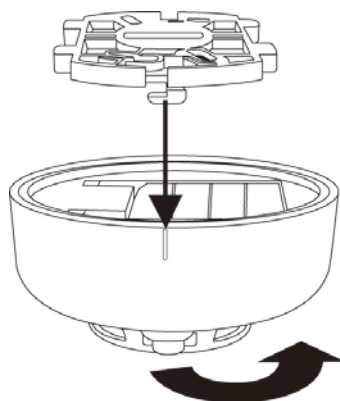
- Mount the Smoke Detector at center of ceiling.

Do not mount the Smoke Detector at the following locations

- Kitchen – The smoke from cooking may trigger false alarm.
- Near ventilating fan or air conditioner - Air draft may affect sensor sensitivity
- Corner, top of an "A" frame type ceiling, near ceiling beams or over a cabinet – The stagnant air may affect sensor sensitivity.

Installation

1. Use the two mounting holes on the mounting bracket to mark position on the ceiling.
2. Drill holes into the ceiling.
3. Screw the bracket onto the ceiling with the screw and plugs provided in drilled hole
4. Replace the main body of the Smoke Detector on the bracket according to picture below.



Battery

4 x AA alkaline batteries