

PIR Camera

1. Learn Button & LED Indicator
2. LED Flash
3. PIR Camera Lens
4. Corner Fixing Knockouts
5. Surface Fixing Knockouts
6. Battery Insulator

PIR Camera (Danish)

1. Learn Button & LED Indicator
2. LED Flash
3. PIR Camera Lens
4. Corner Fixing Knockouts
5. Surface Fixing Knockouts
6. Battery Insulator

PIR kamera

1. Yhdistämisspainike ja LED merkkivalo
2. LED salamavallo
3. PIR kameran linssi
4. Kulmakiinnityksen ruuvien kohdat
5. Pintakiinnityksen ruuvien kohdat
6. Pariston eriste

ENGLISH

Follow instruction in this document to setup and use the accessory. For further setting and operation detail, please visit Blaupunkt website <http://www.blaupunkt.com> to download the complete manual.

Getting Started

1. Pull out the battery insulator to activate battery..
2. If the PIR Camera is purchased separately from the kit, follow instruction below to include the PIR Camera into your control panel
If the PIR Camera is included in your alarm system kit, skip to Mounting Location section below.
3. Put the Control Panel into learning mode.
4. Press and hold the Learn Button **for 10 seconds until the LED Flash flashes once** then release to learn sensor.
5. Refer to Control Panel manual to complete learning process.

Mounting Location

- Mount the PIR Camera at 1.9-2m height for best performance.
- PIR Camera detection is most effective when the intruder is moving across its field of view. Do not mount PIR Camera in a location that faces intruder directly
- Do not mount the PIR Camera directly exposed to sunlight,
- Do not point the PIR Camera at window, or heat source
- Avoid mounting PIR Camera near large metal objects

Installation

1. Choose to mount the PIR Camera on flat surface or corner. Break through knockouts on back cover accordingly.
2. Drill holes into the wall or corner using the knockouts as template.
3. Fix the PIR Camera base onto the wall with the screws and plugs provided.
4. Replace the PIR Camera cover onto the base.

Battery

2 x 1.5V AA alkaline batteries
(Pre-inserted)

DANISH

Follow instruction in this document to setup and use the accessory. For further setting and operation detail, please visit Blaupunkt website <http://www.blaupunkt.com> to download the complete manual.

Getting Started

1. Pull out the battery insulator to activate battery..
2. If the PIR Camera is purchased separately from the kit, follow instruction below to include the PIR Camera into your control panel
If the PIR Camera is included in your alarm system kit, skip to Mounting Location section below.
3. Put the Control Panel into learning mode.
4. Press and hold the Learn Button **for 10 seconds until the LED Flash flashes once** then release to learn sensor.
5. Refer to Control Panel manual to complete learning process.

Mounting Location

- Mount the PIR Camera at 1.9-2m height for best performance.
- PIR Camera detection is most effective when the intruder is moving across its field of view. Do not mount PIR Camera in a location that faces intruder directly
- Do not mount the PIR Camera directly exposed to sunlight,
- Do not point the PIR Camera at window, or heat source
- Avoid mounting PIR Camera near large metal objects

Installation

1. Choose to mount the PIR Camera on flat surface or corner. Break through knockouts on back cover accordingly.
2. Drill holes into the wall or corner using the knockouts as template.
3. Fix the PIR Camera base onto the wall with the screws and plugs provided.
4. Replace the PIR Camera cover onto the base.

Battery

2 x 1.5V AA alkaline batteries
(Pre-inserted)

SUOMI

Seuraa tässä annettuja ohjeita asentaessasi ja käyttäessäsi lisälaitetta. Tarkempia ohjeita ja tietoja verkkosivustolta <http://www.blaupunkt.com> mistä voit myös ladata käyttöohjekirjan.

Käyttöönotto

1. Aktivoi paristo vetämällä ulos eriste pariston päältä.
2. Jos PIR kamera on hankittu erillisenä laitteena, katso ohjeet keskusyksikköön liittämiseen alta.
Jos PIR kamera on osa hälytinpakettia, siirry suoraan kohtaan asennuspaikka.
3. Aseta keskusyksikkö yhdistämistilaan.
4. Paina ja pidä pohjassa yhdistämisspainiketta **10 sekunnin ajan kunnes LED välähtää kerran** ja päästä irti. Ilmainen on yhdistetty.
5. Katso lisäohjeita keskusyksikön käyttöoppaasta.

Asennuspaikka

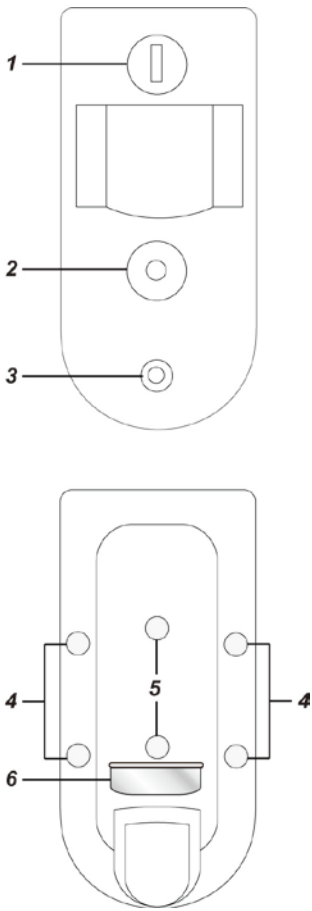
- Asenna PIR kamera 1.9-2m korkeuteen jotta se toimisi parhaiten.
- PIR kamera havaitsee parhaiten sivuittaisen liikkeen. Älä asenna kameraa siten että mahdollinen liike kohdistuu kohtisuoraan kameraan.
- Älä asenna PIR kameraa suoraan auringonvaloon.
- Älä kohdista PIR kameraa ikkunaan tai lämmönlähteeseen.
- Vältä kameran asennusta metalliesineiden välittömään läheisyyteen.

Asennus

1. Valitse tasainen seinäpinta tai huoneen kulma asennuspaikaksi. Avaa paikan vaatimat takaosan asennusreiät esim. ruuvimeisselillä.
2. Poraa kiinnitysreiät käyttäen takaosaa sapluunana.
3. Kiinnitä PIR kamera seinään mukana seuraavilla ruuveilla.
4. Kiinnitä PIR kameran kuori takaosaan.

Paristo

2 x 1.5V AA alkaliparistot
(asennettu)



PIR Camera (Swedish)

1. Learn Button & LED Indicator
2. LED Flash
3. PIR Camera Lens
4. Corner Fixing Knockouts
5. Surface Fixing Knockouts
6. Battery Insulator

PIR Camera (Norwegian)

1. Learn Button & LED Indicator
2. LED Flash
3. PIR Camera Lens
4. Corner Fixing Knockouts
5. Surface Fixing Knockouts
6. Battery Insulator

SWEDISH

Follow instruction in this document to setup and use the accessory. For further setting and operation detail, please visit Blaupunkt website <http://www.blaupunkt.com> to download the complete manual.

Getting Started

1. Pull out the battery insulator to activate battery..
2. If the PIR Camera is purchased separately from the kit, follow instruction below to include the PIR Camera into your control panel
If the PIR Camera is included in your alarm system kit, skip to Mounting Location section below.
3. Put the Control Panel into learning mode.
4. Press and hold the Learn Button **for 10 seconds until the LED Flash flashes once** then release to learn sensor.
5. Refer to Control Panel manual to complete learning process.

Mounting Location

- Mount the PIR Camera at 1.9-2m height for best performance.
- PIR Camera detection is most effective when the intruder is moving across its field of view. Do not mount PIR Camera in a location that faces intruder directly
- Do not mount the PIR Camera directly exposed to sunlight,
- Do not point the PIR Camera at window, or heat source
- Avoid mounting PIR Camera near large metal objects

Installation

1. Choose to mount the PIR Camera on flat surface or corner. Break through knockouts on back cover accordingly.
2. Drill holes into the wall or corner using the knockouts as template.
3. Fix the PIR Camera base onto the wall with the screws and plugs provided.
4. Replace the PIR Camera cover onto the base.

Battery

2 x 1.5V AA alkaline batteries (Pre-inserted)

NORWEGIAN

Follow instruction in this document to setup and use the accessory. For further setting and operation detail, please visit Blaupunkt website <http://www.blaupunkt.com> to download the complete manual.

Getting Started

1. Pull out the battery insulator to activate battery..
2. If the PIR Camera is purchased separately from the kit, follow instruction below to include the PIR Camera into your control panel
If the PIR Camera is included in your alarm system kit, skip to Mounting Location section below.
3. Put the Control Panel into learning mode.
4. Press and hold the Learn Button **for 10 seconds until the LED Flash flashes once** then release to learn sensor.
5. Refer to Control Panel manual to complete learning process.

Mounting Location

- Mount the PIR Camera at 1.9-2m height for best performance.
- PIR Camera detection is most effective when the intruder is moving across its field of view. Do not mount PIR Camera in a location that faces intruder directly
- Do not mount the PIR Camera directly exposed to sunlight,
- Do not point the PIR Camera at window, or heat source
- Avoid mounting PIR Camera near large metal objects

Installation

1. Choose to mount the PIR Camera on flat surface or corner. Break through knockouts on back cover accordingly.
2. Drill holes into the wall or corner using the knockouts as template.
3. Fix the PIR Camera base onto the wall with the screws and plugs provided.
4. Replace the PIR Camera cover onto the base.

Battery

2 x 1.5V AA alkaline batteries (Pre-inserted)