

Heat Detector

1. LED Indicator
2. Learn Button
3. Battery Compartment
4. Mounting Holes
5. Mounting Bracket

Heat Detector (Danish)

1. LED Indikator
2. Learn Button
3. Battery Compartment
4. Mounting Holes
5. Mounting Bracket

Lämpötilalilmaisin

1. LED merkkivalo
2. Yhdistämisspainike
3. Paristokotelo
4. Asennusreiät
5. Asennusteline

ENGLISH

Follow instruction in this document to setup and use the accessory. For further setting and operation detail, please visit Blaupunkt website <http://www.blaupunkt.com> to download the complete manual.

Getting Started

1. Insert the batteries in battery compartment. The Heat Detector will emit 2 beeps.
2. Put the Control Panel into learning mode.
3. Press Learn Button to learn sensor.
4. Refer to Control Panel manual to complete learning process.

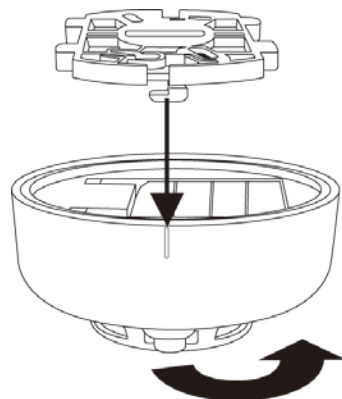
Mounting Location

Mount the Heat Detector at the following locations

- Kitchen and garage – The smoke presence in these location prevented Smoke Detector deployment and should be protected by Heat Detector.
- Chemical storage – Fire caused by chemical material may burn very quickly with extreme heat yet little smoke. In this case the Heat Detector will be able to react more quickly than Smoke Detector

Installation

1. Use the two mounting holes on the mounting bracket to mark position on the ceiling.
2. Drill holes into the ceiling.
3. Screw the bracket onto the ceiling with the screw and plugs provided in drilled hole
4. Replace the main body of the Heat Detector on the bracket according to picture below.



Battery

3 x AA alkaline batteries

DANISH

Follow instruction in this document to setup and use the accessory. For further setting and operation detail, please visit Blaupunkt website <http://www.blaupunkt.com> to download the complete manual.

Getting Started

1. Insert the batteries in battery compartment. The Heat Detector will emit 2 beeps.
2. Put the Control Panel into learning mode.
3. Press Learn Button to learn sensor.
4. Refer to Control Panel manual to complete learning process.

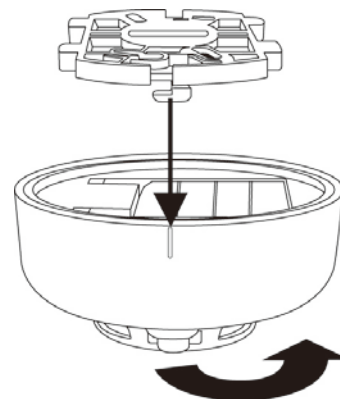
Mounting Location

Mount the Heat Detector at the following locations

- Kitchen and garage – The smoke presence in these location prevented Smoke Detector deployment and should be protected by Heat Detector.
- Chemical storage – Fire caused by chemical material may burn very quickly with extreme heat yet little smoke. In this case the Heat Detector will be able to react more quickly than Smoke Detector

Installation

1. Use the two mounting holes on the mounting bracket to mark position on the ceiling.
2. Drill holes into the ceiling.
3. Screw the bracket onto the ceiling with the screw and plugs provided in drilled hole
4. Replace the main body of the Heat Detector on the bracket according to picture below.



Battery

3 x AA alkaline batteries

SUOMI

Seuraa tässä annettuja ohjeita asentaessasi ja käyttäessäsi lisälaitetta. Tarkempia ohjeita ja tietoja verkkosivustolta <http://www.blaupunkt.com> mistä voit myös ladata käyttöohjekirjan.

Käyttöönotto

1. Asenna paristot paikalleen. Lämpötilalilmaisin päästää kaksi piippausta.
2. Aseta keskusyksikkö yhdistämistilaan.
3. Paina yhdistämisspainiketta liittääksesi laitteen keskusyksikköön.
4. Katso lisäohjeita keskusyksikön käyttöoppaasta.

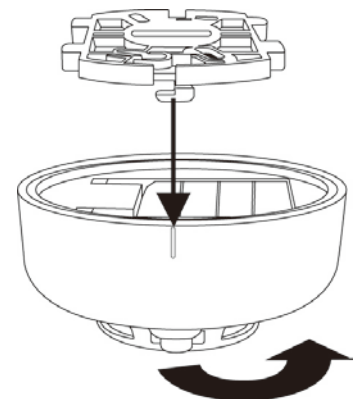
Asennuspaikka

Asenna lämpötilalilmaisin seuraavanlaisiin paikkoihin:

- Keittiö ja autotalli - näihin emme suosittele palovaroitimen/häkä-tunnistimien asentamista, joten ne kannattaa suojata lämpötilalilmaisimilla.
- Kemikaalivarasto – kemikaalipalo voi synnyttää vain vähän savua mutta korkean kuumuuden. Lämpötilalilmaisin voi olla tehokkaampi kuin savunililmaisin.

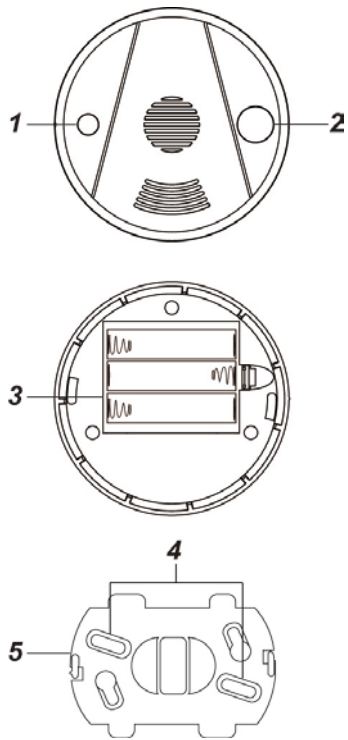
Asennus

1. Käytä asennustelineen reikiä apuna ja merkitse reikien paikat kattoon.
2. Poraa kiinnitysreiät.
3. Ruuvaa asennusteline mukana seuraavilla ruuveilla kiinni.
4. Yhdistä laite asennustelineeseen kuvan mukaisesti.



Paristo

3 x AA alkaliparisto



Heat Detector (Swedish)

- 1. LED Indicator
- 2. Learn Button
- 3. Battery Compartment
- 4. Mounting Holes
- 5. Mounting Bracket

Heat Detector (Norwegian)

- 1. LED Indicator
- 2. Lear Button
- 3. Battery Compartment
- 4. Mounting Holes
- 5. Mounting Bracket

SWEDISH

Follow instruction in this document to setup and use the accessory. For further setting and operation detail, please visit Blaupunkt website <http://www.blaupunkt.com> to download the complete manual.

Getting Started

1. Insert the batteries in battery compartment. The Heat Detector will emit 2 beeps.
2. Put the Control Panel into learning mode.
3. Press Learn Button to learn sensor.
4. Refer to Control Panel manual to complete learning process.

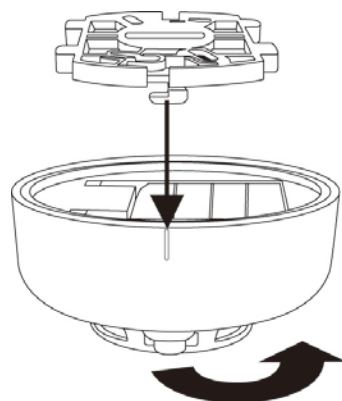
Mounting Location

Mount the Heat Detector at the following locations

- Kitchen and garage – The smoke presence in these location prevented Smoke Detector deployment and should be protected by Heat Detector.
- Chemical storage – Fire caused by chemical material may burn very quickly with extreme heat yet little smoke. In this case the Heat Detector will be able to react more quickly than Smoke Detector

Installation

1. Use the two mounting holes on the mounting bracket to mark position on the ceiling.
2. Drill holes into the ceiling.
3. Screw the bracket onto the ceiling with the screw and plugs provided in drilled hole
4. Replace the main body of the Heat Detector on the bracket according to picture below.



Battery

3 x AA alkaline batteries

NORWEGIAN

Follow instruction in this document to setup and use the accessory. For further setting and operation detail, please visit Blaupunkt website <http://www.blaupunkt.com> to download the complete manual.

Getting Started

1. Insert the batteries in battery compartment. The Heat Detector will emit 2 beeps.
2. Put the Control Panel into learning mode.
3. Press Learn Button to learn sensor.
4. Refer to Control Panel manual to complete learning process.

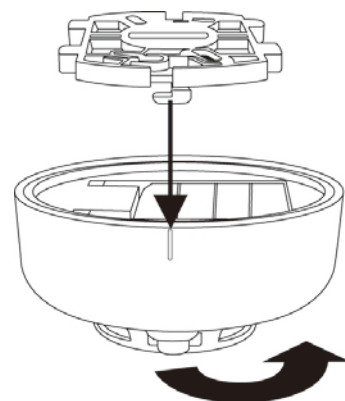
Mounting Location

Mount the Heat Detector at the following locations

- Kitchen and garage – The smoke presence in these location prevented Smoke Detector deployment and should be protected by Heat Detector.
- Chemical storage – Fire caused by chemical material may burn very quickly with extreme heat yet little smoke. In this case the Heat Detector will be able to react more quickly than Smoke Detector

Installation

1. Use the two mounting holes on the mounting bracket to mark position on the ceiling.
2. Drill holes into the ceiling.
3. Screw the bracket onto the ceiling with the screw and plugs provided in drilled hole
4. Replace the main body of the Heat Detector on the bracket according to picture below.



Battery

3 x AA alkaline batteries